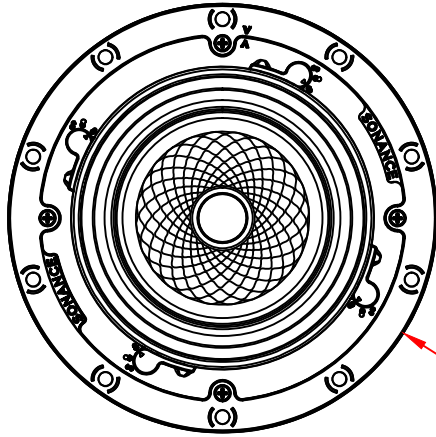
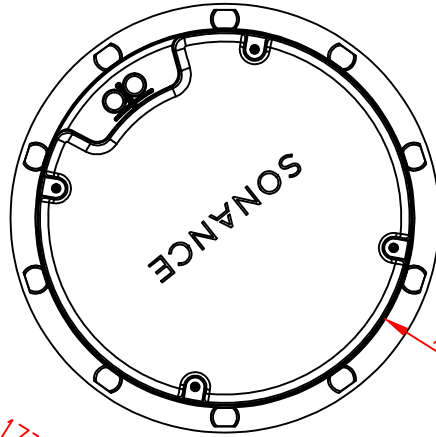


FRONT



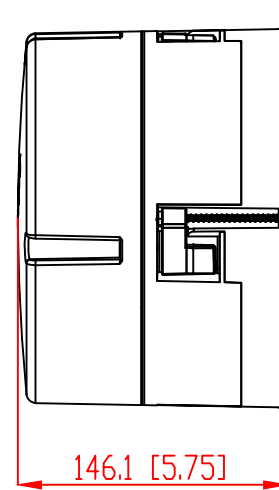
$\phi 232.8$ [$\phi 9.17$]

BACK / MINIMUM CUTOUT



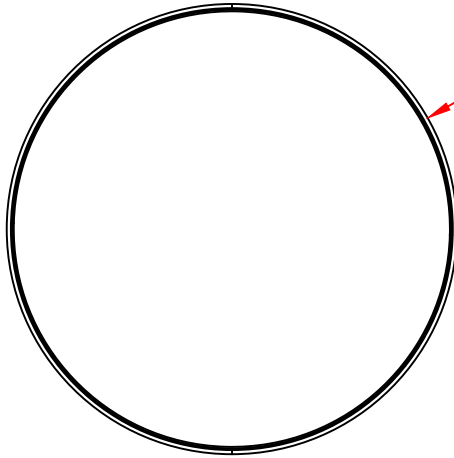
$\phi 205.7$ [$\phi 8.10$]

MOUNTING DEPTH



146.1 [5.75]

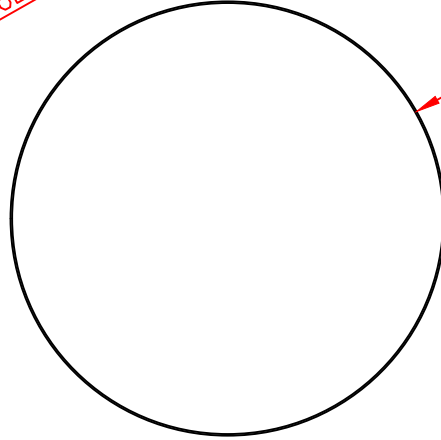
MICRO TRIM GRILLE



$\phi 244.4$ [$\phi 9.62$]

4.0 [0.16]

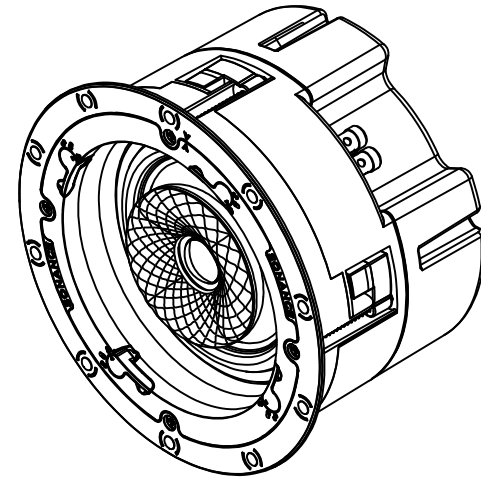
TRIMLESS GRILLE



$\phi 235.6$ [$\phi 9.28$]

3.6 [0.14]

ISOMETRIC



991 Calle Amanecer
San Clemente, California 92673 USA
949-492-7777
WWW.SONANCE.COM

SONANCE

VX64R WITH RETROFIT ENCLOSURE SPEAKER

SCALE: 1 : 1

DRAWN BY: Roy

DRAWN - PART NUMBER

REV.

SHEET: 01

RELEASED DIM